

## **Installation** Instructions

Square Thermostatic Shower Mixer Mono Outlet  
Square Thermostatic Shower Mixer Dual Outlet

# Installation Instructions

## Important - Please Read

Please read these instructions carefully before starting installation and keep for future reference. Remove all packaging and check the product for missing parts or damage before starting installation. Any alterations made to this product and fittings may infringe water regulations and will invalidate the guarantee. The installation must comply with all Local/National Water Supply Authority Regulations/Byelaws and Building and Plumbing (UK:BS6700) Regulations. We strongly recommend that you use a qualified and registered plumber.

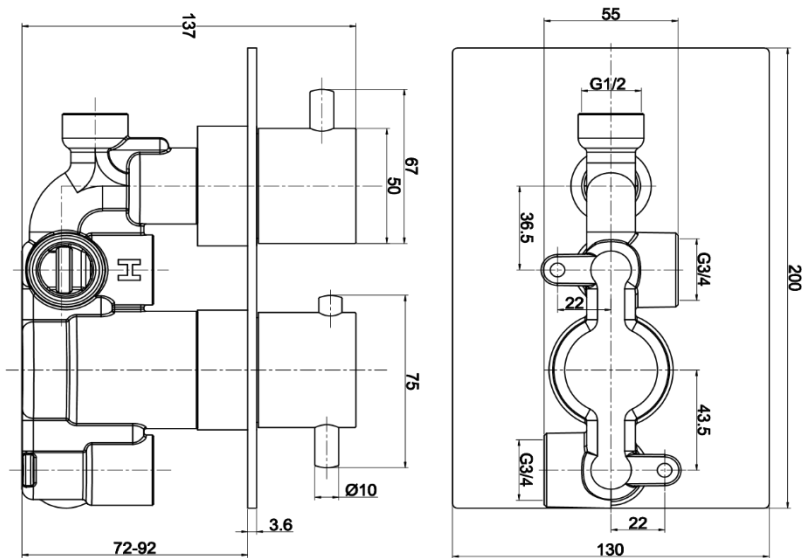
## General Installation

### Thermostatic Valves

This mixer valve is suitable for any water system, provided minimum water pressure is met. Where instantaneous heaters are used, the flow of hot water sufficient to start and go on burning must reach the minimum flow required – as specified by the heater manufacturer. These fittings are mixing devices and therefore water supplies must be reasonably balanced. Where connections are made to the mains cold water supply, WRC approved single check valves must be fitted to both hot and cold inlets. This is a stated requirement of Water Supply (Water Fittings) Regulations 1999 Schedule 2, Section 6 G15.13.2 Before making any inlet pipe connections, all supply pipes **MUST** be thoroughly flushed to remove debris. Failure to do so could result in damage or low flow from the mixer unit. Water Supply (Water Fittings) Regulations 1999 Schedule 2 Section 4 G13.1 The fitting of isolating valves to the inlet feeds is advised for ease of maintenance. Please take great care when installing this mixer not to damage its surface. Operating pressures (on hot and cold line) should be kept as balanced as possible in order to assure optimum efficiency.

**Note:** When pressure is higher than 5 bar a pressure reducer is required to be fitted before the valve.

## Dimensions



## Operating Specifications

### Hot Water Supply Temperature:

Maximum: 85° C

Minimum: 10° C higher than the maximum required mixed temperature (advise 65° C)

### Operating Pressure:

Minimum: 2 Bar

Maximum: 5 bar

## Installation

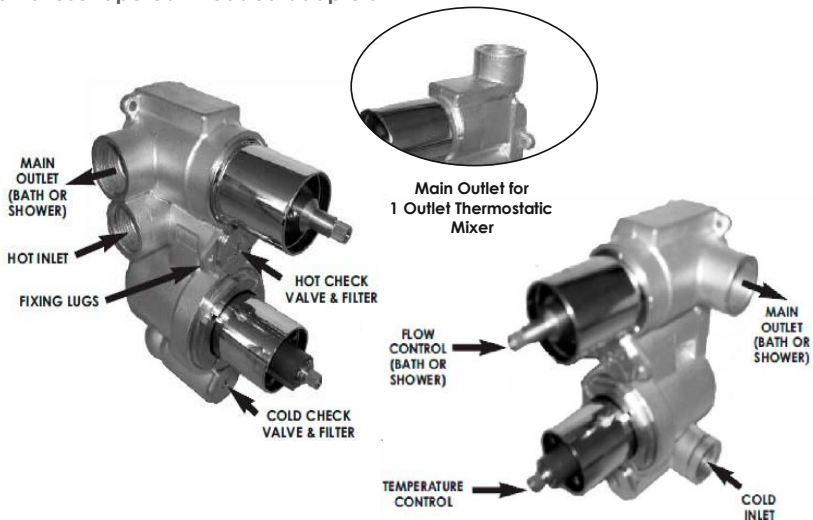
Rinse pipe works carefully for a long while before fitting the valve. Do not allow dirt, metal particles or shavings to block the filters fitted on inlets.

### Warning!

Please check for any hidden cables and pipes before drilling holes in the wall. The valve must be set into the wall between (71mm minimum – 86mm maximum)

If you are fitting the valve to a partition wall or a wall of particularly soft substrate you will need specialist fixings. Select the position for the shower valve and offer the shower valve to the wall, mark the fixing points with a suitable pencil. Remove the shower valve from the wall, drill the holes to a suitable depth for the wall plugs and secure with suitable screws. During and after installation protect the outer parts by leaving the plastic sleeve on the valve to avoid damage to plated surfaces. Connect hot supply to left inlet of the valve (marked with 'H') and cold supply to right inlet (marked with 'C') and any outlets. Make sure the valve is set back to allow for plasterboard and tiling. Turn on the water supplies and test all connections for water tightness. Remove the H&C check valves and flush out the installation, clean the filters then re-fit. Apply a narrow bead of silicone around the back edge of the cover plate then press into position.

- Always allow access to the cartridges and check valves for servicing.
- Inlets and outlets are all tapped 3/4" BSP. Make all pipework connections using a proprietary thread sealer.
- **Do not use tapered threaded adapters**



## Maintenance

**Note: to avoid any damage, please remove all chrome parts before any maintenance takes place.**

### THERMOSTATIC CARTRIDGES

The concealed thermostatic valve should give trouble-free service, but in the event of failure, servicing is straightforward.

#### Removing the Thermostatic Cartridge

Undo the cartridge clamp nut (take note of the orientation of the cartridge) and pull the cartridge out using the temperature control knob to aid removal. Wash the cartridge with clean running water and make sure that any trapped debris has been removed. Dry and lightly grease the seals (only use silicone grease) and replace the cartridge, making sure that the locating lug is located in the recess on the hot side of the valve.

### FLOW CONTROL CARTRIDGE

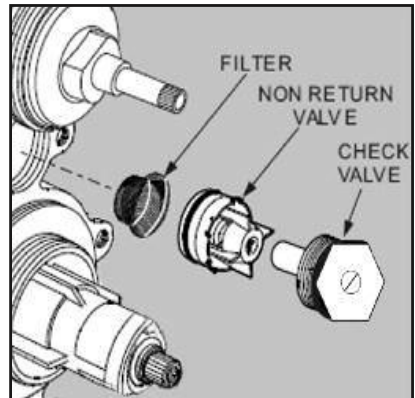
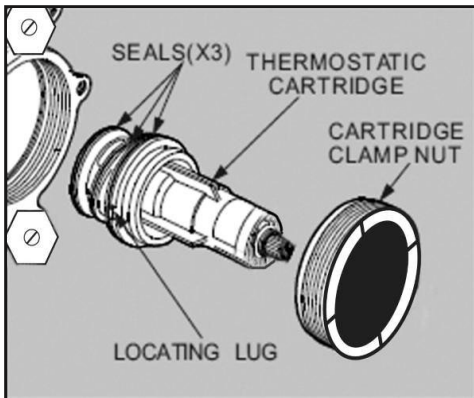
The flow control cartridge uses ceramic discs, which normally last indefinitely unless debris manages to get between them. Wash the cartridge with clean running water, dry and lightly grease the seal.

### FILTERS/CHECK VALVES

The check valves stop cross flow between the hot and cold water supplies.

#### Cleaning the Check Valves

Undo and remove the check valve. Using a pair of pliers, remove the Non return valve and filter. Wash the filter with clean running water, dry and lightly grease the seals.



## Trouble Shooting

<b>SYMPTOM</b>	<b>SOLUTION</b>
After installation, the shower runs HOT or COLD and will not mix	Hot and cold water supplies are plumbed the wrong way round. Remove the thermostatic cartridge, undo the clamp nut and pull the cartridge out (using the temperature control knob to aid removal). Re-install with the locating lug pointing away from the inlets
Shower will not run hot enough when first installed	Maximum temperature needs adjusting
Cold water tracking through the valve into the hot water system	Check and clean the check valve cartridges and filters, located under the check valves
Very low flow or no flow (gravity)	Check hot and cold feeds (the valve will shut down if either hot or cold water supply fails)

## Care of The Mixer

These products are finished to the highest standard and due care needs to be taken to ensure their looks are retained. It is recommended that all products are cleaned with a soft damp cloth **ONLY** and advised strongly against the use of **ALL** cleaning products i.e. powders and liquids. If the above instructions are not followed this will invalidate your guarantee in the event of a problem occurring.



### **Customer / Technical Services**

For any technical or installation queries please contact your merchant.

Due to our commitment to continuous product development we reserve the right to alter specifications without notice. Products are guaranteed against manufacturing defects for the first purchaser only and the guarantee is non-transferable. Our liability under any guarantee expressed or implied is strictly limited to replacement of defective goods or a refund at our discretion and no consequential losses will be entertained. Proof of purchase will be required.