

Download:
Eco Domestic Heating



USER GUIDEBOOK



COD. 571390310 | MANUAL REVISION 09/2016

PURPOSE OF THE MANUAL AND GENERAL INFORMATION

The information in this manual accompanying the product is essential for the proper installation, use and maintenance of the heating system Stone and is updated at the date reported in the manual. Any updates or changes are found on the website <http://www.zoppas.com/StoneBLE>.

The installation should be performed by qualified personnel and equipped with the necessary skills for this operation, with appropriate tools and in full compliance with all laws, rules and precautions on safety, as well as the requirements and guidelines in this manual.

Failure to follow these information and the regulations contained in this document may lead to malfunction, failure, breakage, etc. and the danger of damage to property and/or persons, as well as forfeiture of the guarantee of IRCA S.P.A. In some countries the product can be approved for operation with the original components of the product, therefore, IRCA S.P.A. recommends to use original spare parts or parts with completely equivalent technical and functional characteristics.

The information was made by the manufacturer in the original language (Italian) to provide users with the necessary information to use the unit in a stand alone cost-effective and risk-free mode.

IRCA S.P.A. accepts no responsibility for any inaccuracies in this document due to printing errors or transcription. IRCA S.P.A. reserves the right to make changes to information without the obligation to notify in advance, as long as they do not affect safety.

This document or any part thereof may not be copied, altered or reproduced without the written consent of IRCA S.P.A. Carefully store this manual for the entire life cycle of the product.

SAFETY WARNINGS

Most accidents are caused by failure to observe basic rules and safety precautions. IRCA S.P.A. cannot foresee all possible circumstances that could involve potential dangers.

The instructions in this guide, in the manual and on the product are, therefore, not all-inclusive. If in the various operations you adopt procedures, tools or methods that are not explicitly recommended by IRCA S.P.A. it is essential to ensure that the work is performed in compliance with the safety of the performer and of others.

WARNINGS FOR USE

Keep out of reach of children. The product is designed to be easy to use, yet the use of the product by children and not suitable persons is recommended only under the supervision of an adult. The product is designed to be repaired by authorized personnel only. Do not perform any maintenance and replace damaged items. Do not pierce or carve. Do not place the product on heat. Do not wet the product in an attempt to clean it. Do not immerse in water.

Clean the product with a dry cloth. Do not clean with aggressive products.

THE PACKAGE CONTAINS

Stone, cable cover (only Wall), grommet (only Wall), gland (only Wall)

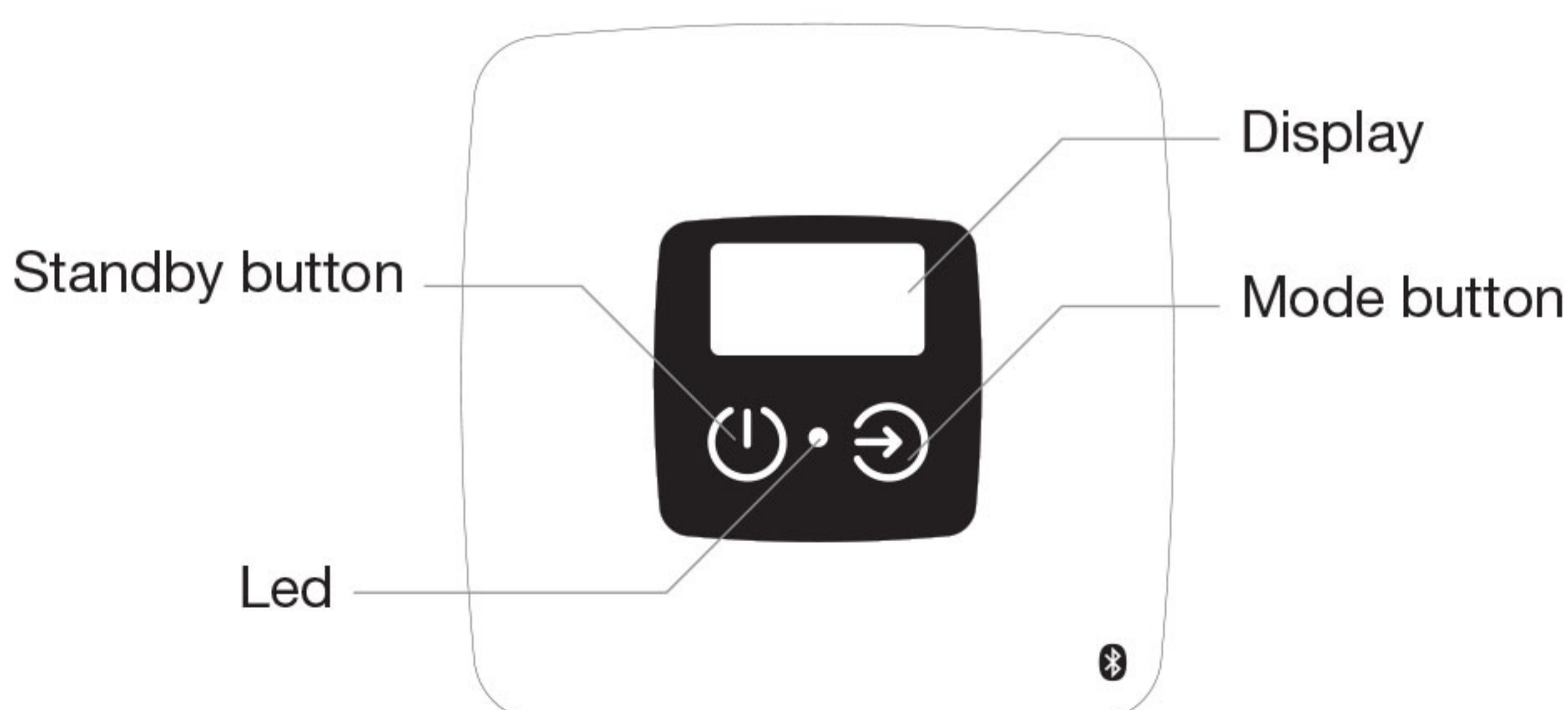
GLOSSARY

Pairing: it is the process that allows you to associate a radiator to Stone, so it can be controlled by the latter.

Fil Pilote: cable control system of the radiator (if present in the home).

Set point: target temperature that you want to be reached and/or maintained.

THE DISPLAY and CONTROLS



You can use Stone through the two buttons on the product or through the app downloadable from the store.

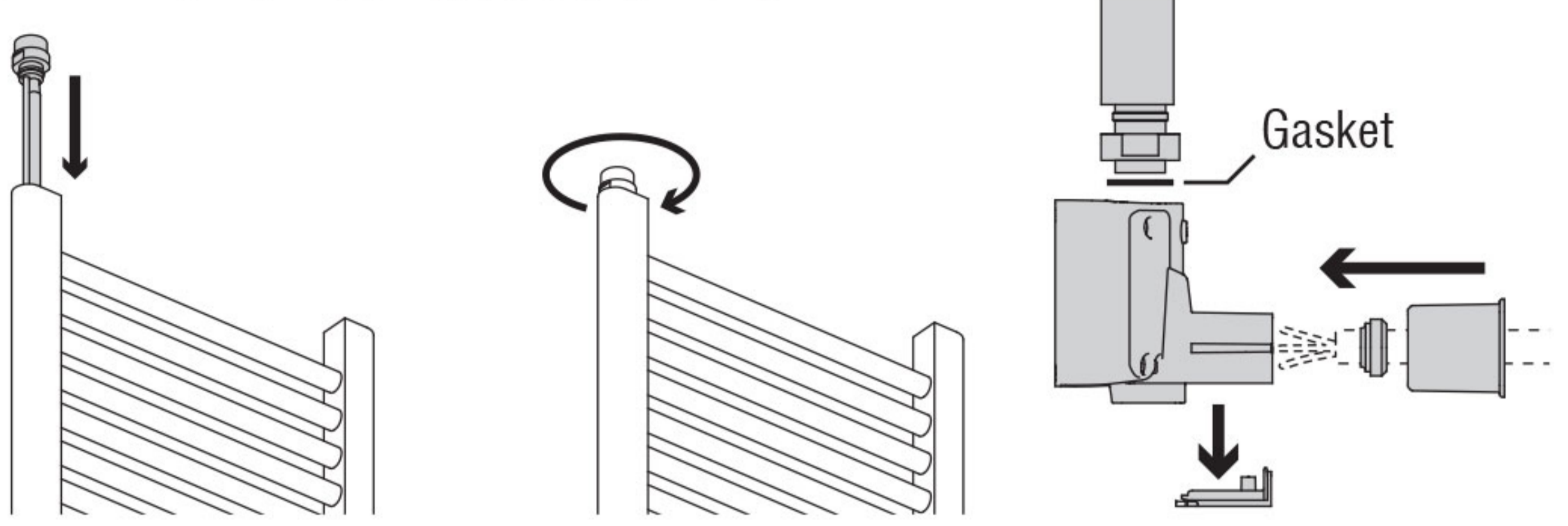
The display shows the power consumption of the current day.

POWER SUPPLY

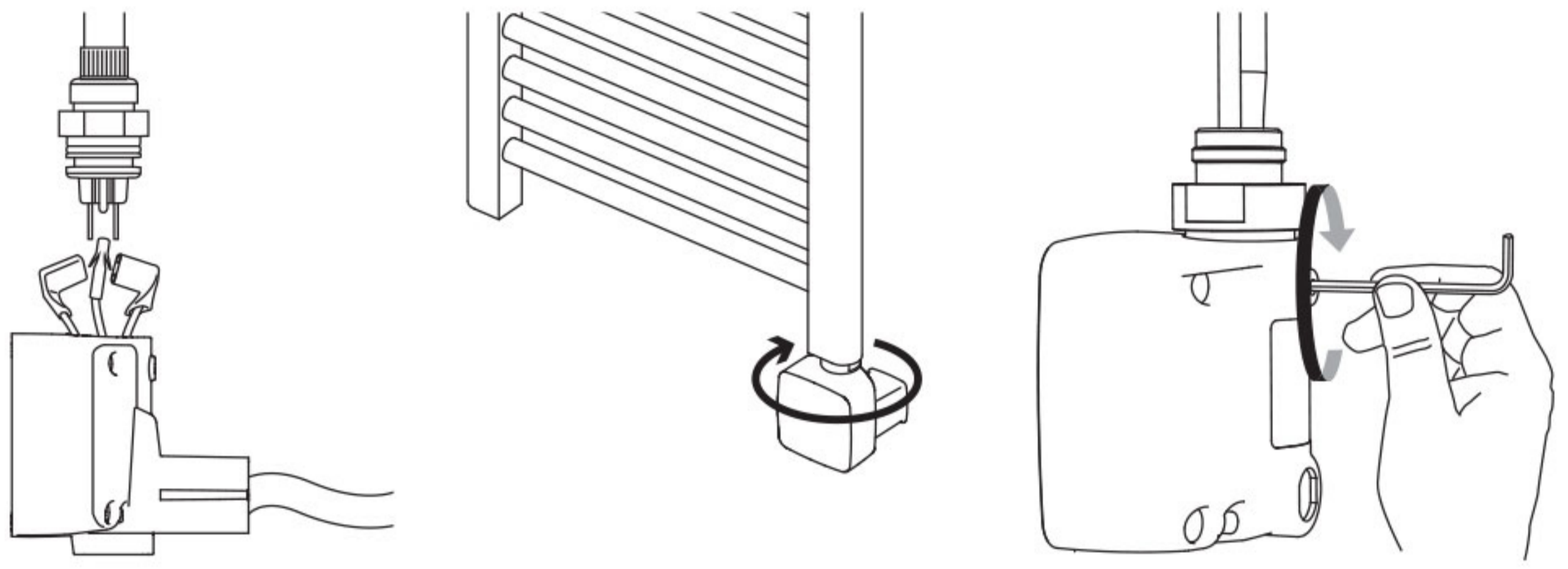
You can use Stone connecting to the domestic electrical grid the Live, Neutral and Ground wires (Class 1), or connecting the Live, Neutral and Fil Pilote control connection (auxiliary) wires (Class 2)

	Live	Neutral	Ground	Fil Pilote
Class 1	Brown	Blue	Yellow/Green	
Class 2	Brown	Grey		Black

INSTALLATION CLASS I (Cable and Wall)

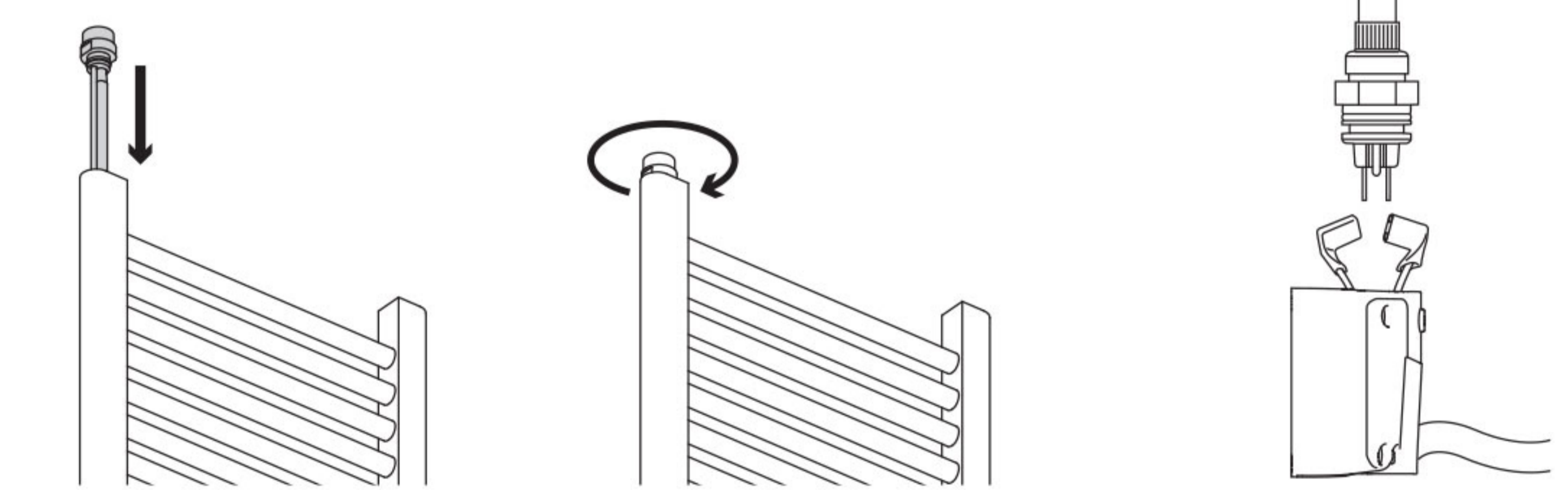


- 1 Insert resistance in the upside down radiator.
- 2 Screw in the resistance using 25 mm wrench (not included).
- 3 Insert the cable into the grommet. Connect the wires to the mammoth. Close the grommet.

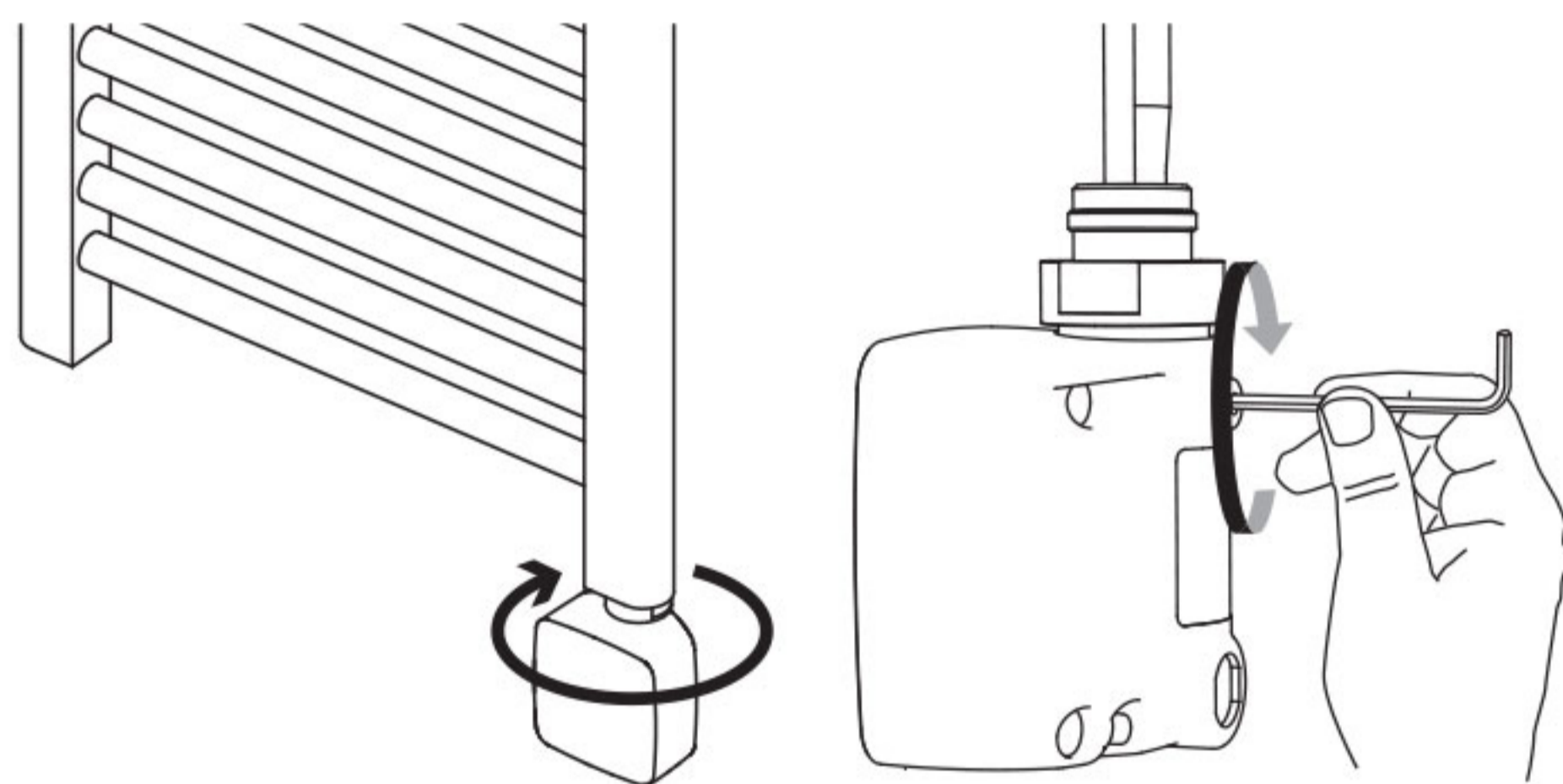


- 4 Connect the fastons to the resistance. Connect the ground to the resistance.
- 5 Insert the gasket in the resistance as shown in the figure.
- 6 Screw Stone to the resistance until it locks.
- 7 Fasten Stone using the screw on the back. Use 1.5 mm Allen wrench (not included)

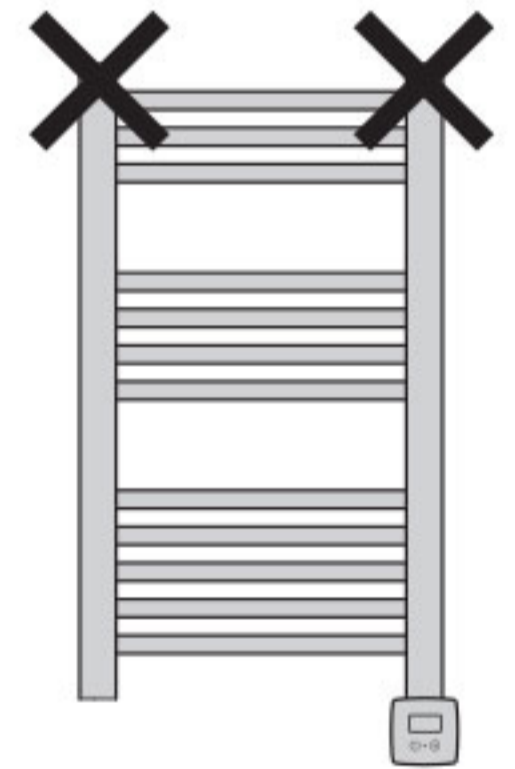
INSTALLATION CLASS II (only cable)



- 1 Insert resistance in the upside down radiator.
- 2 Screw in the resistance using 25 mm wrench (not included).
- 3 Connect the fastons to the resistance. Connect the Fil Pilote (if any).



- 4 Screw Stone to the resistance until it locks.
- 5 Fasten Stone using the screw on the back. Use 1.5 mm Allen wrench (not included).



STONE CORRECT POSITIONING

Stone can only be installed on vertical radiators. You can install it in the two positions shown in the figure.

FIRST USE

To successfully complete the first installation, follow the following:

FIRST START

At power choose the usage mode you want to use (SETPOINT MODE or POWER MODE). Select the desired usage mode with the MODE button and press STANDBY to confirm. Set the date and time: select the value with the MODE button and confirm by pressing STANDBY. On completion of the procedure, the towel warmer is placed on Standby mode.

WAYS OF USE







With Stone you can control the Towel Rail in two distinct modes of use:

- Set-point use (SETPOINT MODE)
- Power use (POWER MODE)

SET POINT USE (SETPOINT MODE)

When you enable SETPOINT MODE, the towel rail controls the desired room temperature and set by the user.




The user can select operating modes, which are associated with set-point values (Ex. Comfort is associated with 21°C). The operating modes that can be enabled in the SETPOINT MODE are given below:

Operating mode	Description	Default value
BOOST 	Mode of operation of the radiator which contemplates continues operation for 2 hours at full power	2 hour period, settable by App
COMFORT 	Regulation with constant temperature	21°C (changeable by the app)
ECO 	Regulation with constant temperature	17.5°C (changeable by the app)
ANTIFREEZE 	Regulation with constant temperature	7°C (changeable by the app)
SCHEDULE 	Daily programming	Default program
MANUAL 	Regulation with constant temperature	Can only be used with the App, set value from the App
DATE & TIME	Date and time settings	
STANDBY	Mode in which the radiator is not active	
BLUETOOTH	To connect with Stone app	

POWER USE (POWER MODE)

When POWER MODE is enabled, the towel-rail is controlled via power levels ranging from 1 (lowest) to 10 (maximum power), which are set by the user.

The user can set the operating modes, which are associated to power levels as reported in the following table:

Operating mode	Description	Default Value
BOOST	Power level 10	2 hour period, settable by App
HIGH 	High constant power	Power level 9 (editable from the app)
MEDIUM 	Average constant power	Power level 5 (editable from the app)
LOW 	Low constant power	Power Level 2 (editable from the app)
SCHEDULE	Daily programming	Default program
MANUAL	Regulation with constant temperature	Can only be used with the App, set value from the App
DATE & TIME	Date and time settings	
STANDBY	Mode in which the radiator is not active	
BLUETOOTH	To connect with Stone app di Stone	

STATE OF THE LED

LED	SETPOINT MODE	POWER MODE
Red	Set-point higher than 24°C	Power greater than 8
Orange	Set-point between 22.5 C and 24°C	Power between 6 and 8
Yellow-orange	Set-point between 20.5°C and 22.5°C	Power between 4 and 6
Yellow	Set-point between 19°C and 20.5°C	Power between 2 and 4
Green	Set-point less than or equal to 19°C	Power less than or equal to 2

CONNECTION WITH SMART DEVICE VIA BLUETOOTH SMART (PAIRING)

Download the App, turn it on, sign (if necessary) or enter as a guest. The App offers a guided installation menu and includes instructions to put the Stone in pairing mode (search Smart Device that can accept a connection via low energy Bluetooth).

Access the BLUETOOTH menu and follow the guidance provided by the app.

CONTROL THROUGH FIL PILOTE (ONLY FOR CLASS II - CABLE)

Control via Fil Pilote is enabled only in the set point control mode (SETPOINT MODE) and is available only for the model in Class II.

To enable control via Fil Pilote, make sure you have properly connected the black wire of the Fil Pilote signal to the appropriate unit.

Select the Comfort mode, and at this point the Stone control will automatically enable the reading of the Fil Pilote signal, and if properly recognized, the AUTO icon will appear in the top left side of the display, and the control will lock automatically.

DIAGNOSTICS

In case of system malfunction, Stone warns the user through a message on the display and the Led lights on the front panel.

Message	Description	What to do
Err 1	Loading error	Turn off the heater and let it cool. Try to turn on the towel rail if the error is no more present, the protection thermostat has intervened and the towel rail self-resets. If the body of the towel rail is cold and the error persists, replace the heating element of the towel rail.
Err 2	Temperature sensor	Internal temperature sensor failure, replace Stone control.
Err 3	Memory error	Data storage error: the weekly schedule may not work properly. Replace Stone control

PROCEDURE FOR LOCKING AND UNLOCKING KEYBOARD

To lock the keyboard of Stone, quickly press 3 times the standby button.
To unlock the keyboard: quickly press 3 times standby.

RESET PROCEDURE

Access the menu Date & Time and scroll through the item year until the appearance of the reset request.



CLEANING PRODUCT

To clean STONE, use a dry cloth.
Do not clean with aggressive products.
Do not wet the product in an attempt to clean it. Do not immerse in water.

REFERENCE STANDARDS

SICUREZZA: EN 60950-1
LVD: EN 60335-1; EN60335-2-30; EN60335-2-43 EN62333
EMC: EN55014-1; EN55014-2; EN61000-3-2; EN61000-3-3; EN61000-3-4
European Directives: 2002/96/EC and 2003/108/EC, 2008/34/EC WEEE, 2002/95/EC RoHS, 1999/5/EC R&TTE Directive, 2006/95/EC Low Voltage 2004/108/EC EMC

The declaration of conformity EC is available at the following address:
www.zoppas.com/StoneBLE

TECHNICAL DATA

Maximum output power	1500W
Operating temperature	0 to 50°C
Storage temperature	-20 to + 70°C
Operating humidity	0-80% non-condensing
IP Protection class	IP44
Insulation class	Class I - Class II (only when assembled with the body of the radiator)

Material	ABS Bayblend
Dimensions	63mm x 63mm x 56mm
Weight	170 g

USEFUL INFORMATION

Stone stops functioning First, make sure that the power supply is correct and that the radiator is properly fed. If the problem was of a different nature, contact technical support.

The radiator does not heat Make sure the heater is properly fed, that it is not set in the stand-by mode or that the room has not reached the set-point temperature set on Stone. If the problem persists, contact technical support.

Radiator was not powered Upon restoration of the mains voltage, in case of absence of power for less than 6 hours, the radiator automatically recognizes the connection to Stone which was previously associated. Otherwise, re-set time and date and the desired program.

Warranty: The product is guaranteed for two years from date of purchase against any manufacturing defects. The warranty is valid only in the presence of a dated purchase receipt.



Disposal: at the end of its useful life the product must be disposed of according to the directives in force in the country where it is in use. The product has electrical and electronic components that must be disposed of according to the European directives for WEEE.

CONTACTS

The Service Centre is at your disposal at the following contacts:
INFO ADDRESS: info@stone.rica.it
SERVICE ADDRESS: service@stone.rica.it
WEB ADDRESS: www.stone.rica.it